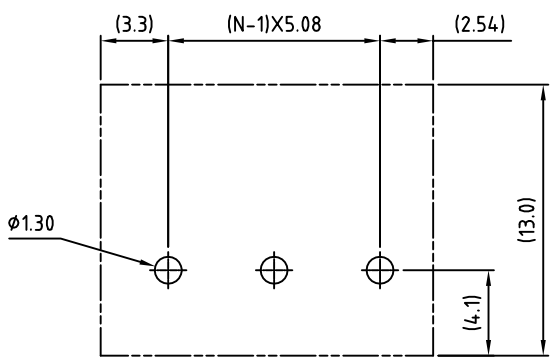
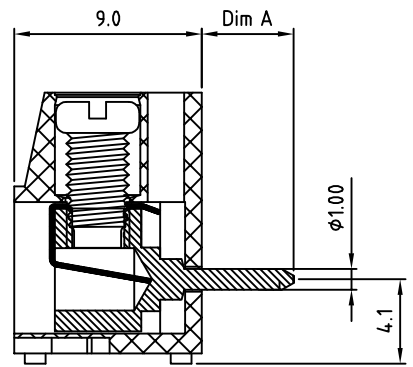
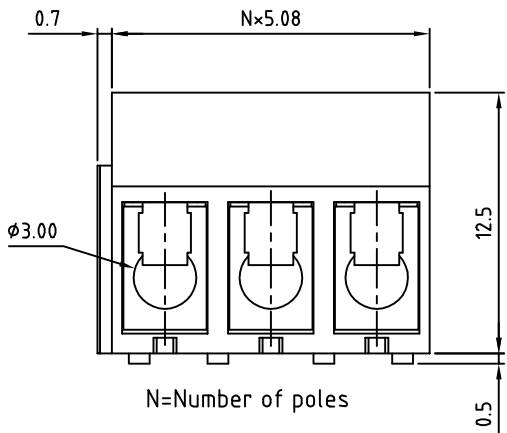
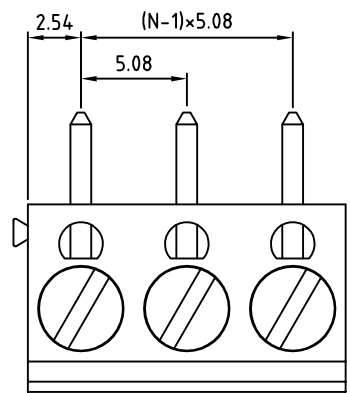


| | | | |
|------|------|---|----------|
| SIGN | DATE | DESCRIPTION | APPROVER |
| | | <i>THIS IS CAD DRAWING, DO NOT REVISE MANUALLY!!!</i> | |



Material

- Terminal body (metal housing): Brass(CuZn)
- Terminal screw: Steel Zinc plating "-" slot type
- Wire guard: Stainless steel
- Surface of solder tail: Tin plated
- Insulator (housing): Thermoplastic (UL94V-0)

Electrical

- Voltage rating: 300VAC
- Current rating: 15A
- Wire range:
 - Solid wire(AWG): 14-22
 - Stranded wire(AWG): 14-22
- Torque: 3.5Lb-In
- Screw: M3
- Wire strip length: 6-7mm
- Withstanding Voltage: 1.6KV
- Operating temperature: -30°C to +105°C
- Soldering temperature: 250°C±10°C/5 Sec

RoHS Compliant

PART NUMBER:

OSTTBXX2160

- | | |
|--|--|
| No. of Poles 02 2 Poles 03 3 Poles ... 24 24 Poles | COLOR 0: Black 5: Green 6: Blue (Standard) 8: Grey |
|--|--|



THESE DRAWINGS AND SPECIFICATIONS ARE THE PROPERTY OF ON-SHORE TECHNOLOGY, INC. AND SHALL NOT BE REPRODUCED, COPIED OR USED IN ANY MANNER WITHOUT THE PRIOR WRITTEN CONSENT OF ON-SHORE TECHNOLOGY, INC.

| | | | |
|--------------|----------------------|-------------------------------|----------------------|
| TITLE | | OSTTB 5.08 series 1-interlock | |
| PART NO. | OSTTBXX2160 | DWG NO. | OSTTBXX2160.DWG |
| APPROVED | CHECKED | DESIGNED | DRAWN |
| | Marvin 2006.02.11 | Marvin 2006.02.11 | Marvin 2006.02.11 |
| | | CUST NO. | |
| | | Tolerance | |
| | | X. ±0.50 | |
| | | X.X ±0.30 | |
| | | X.XX ±0.10 | |
| | | X° ±1° | |
| SHEET: 01/01 | | REV: C | |